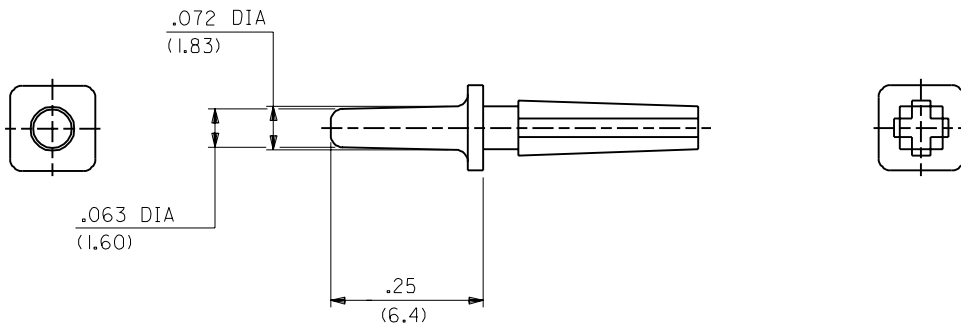


2560-1
15-04-0219



2560-2
15-04-0220

NOTES:

1. DIMENSIONS GIVEN ACROSS CENTERLINES ARE SYMMETRICAL ABOUT THOSE CENTERLINES WITHIN HALF THE TOTAL TOLERANCE
2. MATERIAL: NYLON ZYTEL 101-NC-10

D ADD TO CAD
ECR 10300
7-30-87 SAMIEC

MFG.	SH.	REV.	LTR.	REVISIONS
------	-----	------	------	-----------

DIMENSIONS SHOWN (METRIC) INCH

REVISION SYMBOLS: ∇ = \blacktriangledown = REVISE ONLY ON CAD SYSTEM

UNLESS OTHERWISE SPECIFIED TOLERANCES: ANGULAR ± 1/2°

TITLE
POLARIZING KEYS
WITH AND WITHOUT BOSS
2560 SERIES DWG

	INCH	METRIC
3 PLACE	± .005	---
2 PLACE	± .010	± 0.13
1 PLACE	---	± 0.25

MOLEX MOLEX INCORPORATED SHEET NO. DATE
LISLE, ILL. 60532 U.S.A. 1 OF 1 07/30/87

DRAFT WHERE APPLICABLE MUST REMAIN WITHIN DIMENSIONS

PART NO. SD-2560 DRWG. NO.

DRWG. BY: SAMIEC
CHK'D. BY: PATEL
APP'D. LENZ
SCALE :

FILE NAME: S2560X1
THIS DRAWING CONTAINS INFORMATION THAT IS PROPRIETARY TO MOLEX INC. AND SHOULD NOT BE USED WITHOUT WRITTEN PERMISSION
DIV. KK
SIZE B